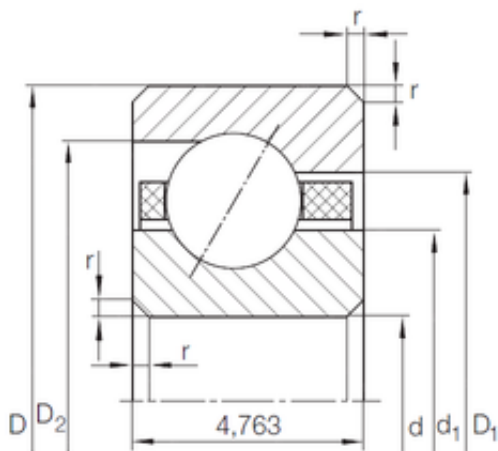




Lamar parts manufacturing company

38,1 mm x 47,625 mm x 4,763 mm INA CSEAA
015 TN angular contact ball bearings



Bearing No. CSEAA 015 TN

Size	38.1x47.625x4.763 mm
Bore Diameter	38,1 mm
Outer Diameter	47,625 mm
Width	4,763 mm
d	38,1 mm
D	47,625 mm
B	4,763 mm
C	4,763 mm
d1	41,7 mm
r min.	0,38 mm
D1	44,1 mm
D2	45,2 mm
Weight	0,02 Kg
Basic dynamic load rating (C)	2,16 kN
Basic static load rating (C0)	1,86 kN

CSEAA 015 TN Bearing 2D drawings and 3D CAD models