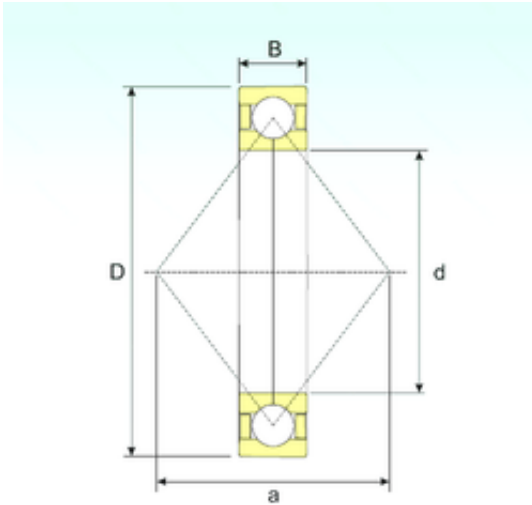




## Lamar parts manufacturing company



QJ 1252 Bearing 2D drawings and 3D CAD models

260 mm x 480 mm x 90 mm ISB QJ 1252 angular contact ball bearings

Bearing No. QJ 1252

Size	260x480x90 mm
Bore Diameter	260 mm
Outer Diameter	480 mm
Width	90 mm
d	260 mm
D	480 mm
B	90 mm
C	90 mm
a	370 mm
Weight	78,5 Kg
Basic dynamic load rating (C)	741 kN
Basic static load rating (C0)	1120 kN
(Grease) Lubrication Speed	950 r/min