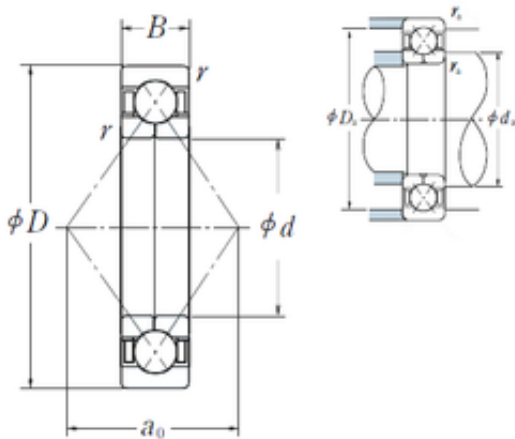




Lamar parts manufacturing company



QJ 328 Bearing 2D drawings and 3D CAD models

140 mm x 300 mm x 62 mm NSK QJ 328
angular contact ball bearings

Bearing No. QJ 328

Size	140x300x62 mm
Bore Diameter	140 mm
Outer Diameter	300 mm
Width	62 mm
d	140 mm
D	300 mm
B	62 mm
C	62 mm
Angle (°)	35 °
a	154 mm
r min.	4 mm
da min.	158 mm
da max	282 mm
ra max.	3 mm
Weight	24 Kg
Basic dynamic load rating (C)	440 kN
Basic static load rating (C0)	1110 kN
(Grease) Lubrication Speed	1 700 r/min