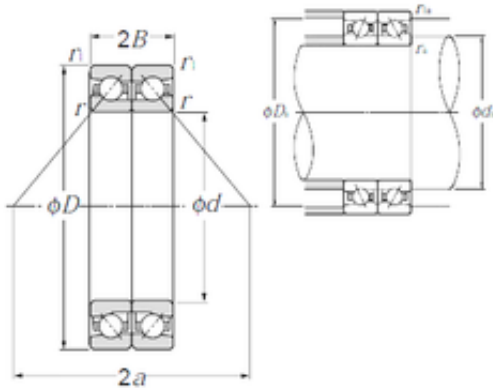




Lamar parts manufacturing company

105 mm x 160 mm x 24,75 mm NTN HTA021DB angular contact ball bearings



Bearing No. HTA021DB

Size	105x160x24.75 mm
Bore Diameter	105 mm
Outer Diameter	160 mm
Width	24,75 mm
d	105 mm
D	160 mm
B	24,75 mm
C	24,75 mm
ra1 max.	1 mm
r min.	2 mm
r1 min.	1 mm
2B	49,5 mm
da min.	119 mm
Da max.	152,5 mm
ra max.	2 mm
Weight	3,38 Kg
Basic dynamic load rating (C)	71 kN
Basic static load rating (C0)	181 kN
(Grease) Lubrication Speed	4 200 r/min

HTA021DB Bearing 2D drawings and 3D CAD models