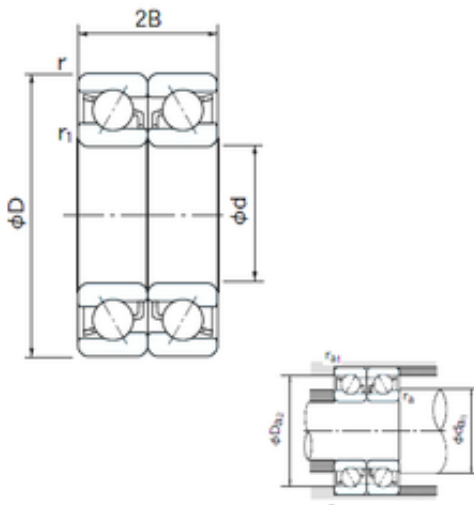




Lamar parts manufacturing company



25 mm x 47 mm x 12 mm NACHI 7005DB angular contact ball bearings

Bearing No. 7005DB

7005DB Bearing 2D drawings and 3D CAD models

Size	25x47x12 mm
Bore Diameter	25 mm
Outer Diameter	47 mm
Width	12 mm
d	25 mm
D	47 mm
B	12 mm
C	12 mm
Angle (°)	30 °
a	4.4 mm
r min.	0.6 mm
r1 min.	0.3 mm
2B	24 mm
da min.	29 mm
Da max.	45 mm
ra max.	0.3 mm
Weight	0.091 Kg
Basic dynamic load rating (C)	18,4 kN
Basic static load rating (C0)	14,8 kN
(Grease) Lubrication Speed	10000 r/min
Bore Type	Cylindrical Bore
Enclosure	Open
Configuration	Duplex
Bore Size	25 mm
Outside Diameter	47 mm



Lamar parts manufacturing company

Width	12 mm
Fillet Radius/Chamfer	0.6 mm
r1	0.3 mm
Dynamic Load Rating	18,400 N
Static Load Rating	14,800 N
Limiting Speed - Grease	10,000 rpm
Limiting Speed - Oil	13,000 rpm
da1 (min)	29 mm
da2 (min)	29 mm
Da1 (max)	43 mm
Da2 (max)	45 mm
ra (max)	0.6 mm
ra1 (max)	0.3 mm