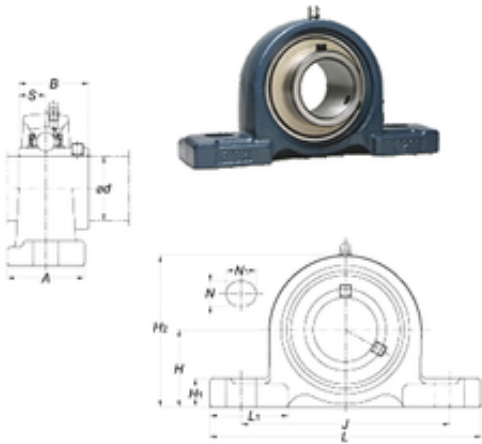




Lamar parts manufacturing company

FYH UCP205-14 bearing units



Bearing No. UCP205-14

Bore Diameter	22,225 mm
Width	34,1 mm
d	22,225 mm
A	38 mm
B	34,1 mm
H	36,5 mm
H1	13 mm
H2	71 mm
J	105 mm
L	140 mm
L1	43 mm
N	13 mm
N1	18 mm
S	14,3 mm
Bolt (G)	M10
Weight	0,8 Kg
Basic dynamic load rating (C)	14 kN
Basic static load rating (C0)	7,85 kN

UCP205-14 Bearing 2D drawings and 3D CAD models