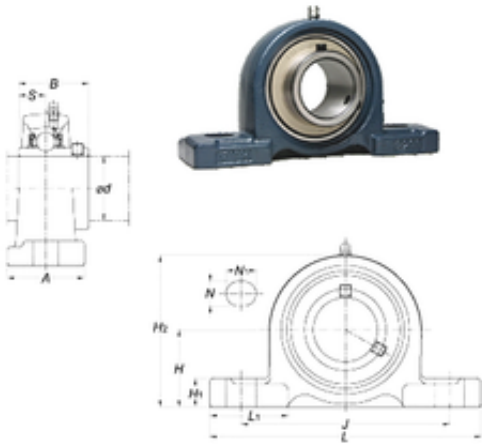




Lamar parts manufacturing company

FYH UCP216-50 bearing units



Bearing No. UCP216-50

Bore Diameter	79,375 mm
Width	82,6 mm
d	79,375 mm
A	78 mm
B	82,6 mm
H	88,9 mm
H1	32 mm
H2	174 mm
J	232 mm
L	292 mm
L1	86 mm
N	25 mm
N1	35 mm
S	33,3 mm
Bolt (G)	M20
Weight	9 Kg
Basic dynamic load rating (C)	72,7 kN
Basic static load rating (C0)	53 kN

UCP216-50 Bearing 2D drawings and 3D CAD models