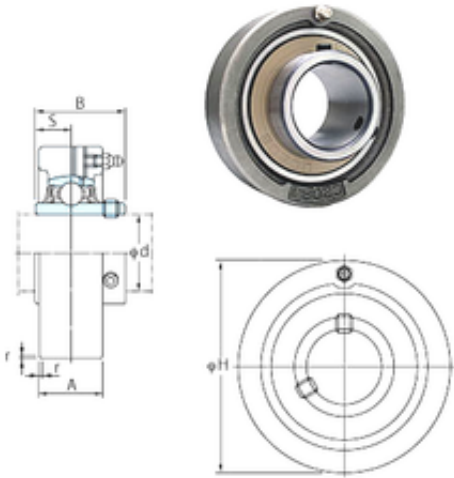




Lamar parts manufacturing company

FYH UCC315-47 bearing units

Bearing No. UCC315-47



UCC315-47 Bearing 2D drawings and 3D CAD models

Bore Diameter	74,6125 mm
Width	82 mm
d	74,6125 mm
r	4 mm
A	55 mm
B	82 mm
H	190 mm
S	32 mm
Weight	7,8 Kg
Basic dynamic load rating (C)	113 kN
Basic static load rating (C0)	77,2 kN