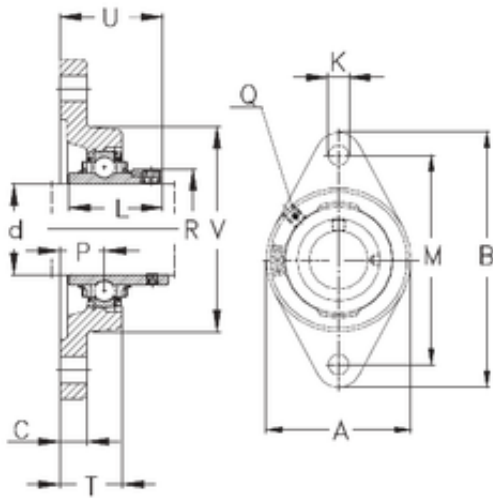




Lamar parts manufacturing company



NKE RCJT65 bearing units

Bearing No. RCJT65

Bore Diameter	65 mm
d	65 mm
P	38 mm
V	160 mm
U	82,6 mm
K	21 mm
A	160 mm
B	258 mm
C	18 mm
L	66,1 mm
M	216 mm
R	96 mm
T	57 mm
Thread (G)	R1/8 "

RCJT65 Bearing 2D drawings and 3D CAD models