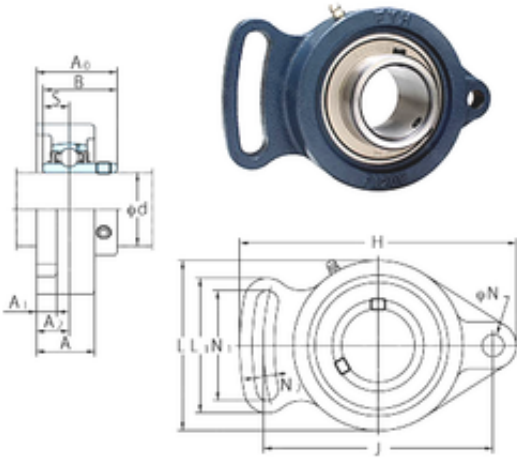




Lamar parts manufacturing company

FYH UCFA204 bearing units

Bearing No. UCFA204



UCFA204 Bearing 2D drawings and 3D CAD models

| | |
|-------------------------------|---------|
| Bore Diameter | 20 mm |
| d | 20 mm |
| A0 | 32,1 mm |
| A | 24 mm |
| A1 | 11 mm |
| B | 31 mm |
| H | 98 mm |
| J | 78 mm |
| L | 59 mm |
| L1 | 50 mm |
| N | 10 mm |
| N1 | 40 mm |
| S | 12,7 mm |
| Bolt (G) | M8 |
| A2 | 13,8 mm |
| N2 | 10 mm |
| Weight | 0,42 Kg |
| Basic dynamic load rating (C) | 12,8 kN |
| Basic static load rating (C0) | 6,65 kN |