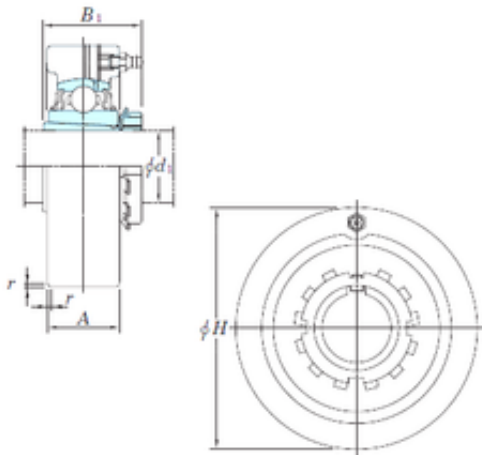




Lamar parts manufacturing company



KOYO UKC320 bearing units

Bearing No. UKC320

Bore Diameter	90 mm
d	90 mm
r	4 mm
A	75 mm
B1	97 mm
H	260 mm
Weight	19,2 Kg
Basic dynamic load rating (C)	173 kN
Basic static load rating (C0)	141 kN

UKC320 Bearing 2D drawings and 3D CAD models