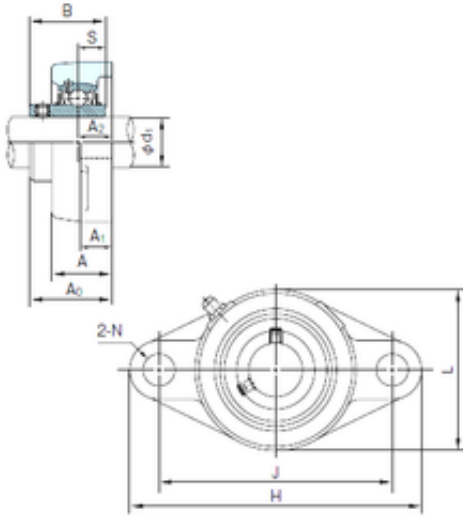




Lamar parts manufacturing company



NACHI UCFL321 bearing units

Bearing No. UCFL321

Bore Diameter	105 mm
d1	105 mm
A0	127 mm
A	94 mm
A1	40 mm
B	112 mm
H	440 mm
J	360 mm
L	270 mm
L1	282 mm
N	44 mm
S	44 mm
Bolt (G)	M39
A2	59 mm

UCFL321 Bearing 2D drawings and 3D CAD models