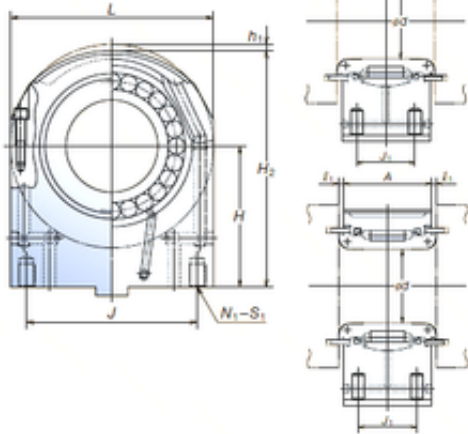




Lamar parts manufacturing company

NSK 155PCR3001 cylindrical roller bearings



Bearing No. 155PCR3001

Bore Diameter	155 mm
d	155 mm
h1	10 mm
A	182 mm
H2	400 mm
J	240 mm
L	300 mm
	9 Tolerance h14
Thread (G)	M30

155PCR3001 Bearing 2D drawings and 3D CAD models