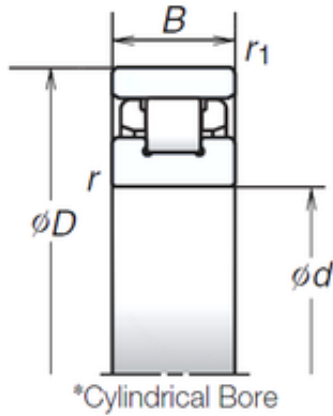




## Lamar parts manufacturing company

### 80 mm x 125 mm x 22 mm NSK N1016RXTP cylindrical roller bearings



Bearing No. N1016RXTP

Size	80x113x22 mm
Bore Diameter	80 mm
Outer Diameter	113 mm
Width	22 mm
d	80 mm
D	125 mm
E	113 mm
B	22 mm
C	22 mm
r min.	1,1 mm
r1 min.	1 mm
Weight	0,926 Kg
Basic dynamic load rating (C)	61,5 kN
Basic static load rating (C0)	81,5 kN
(Grease) Lubrication Speed	13 000 r/min

N1016RXTP Bearing 2D drawings and 3D CAD models