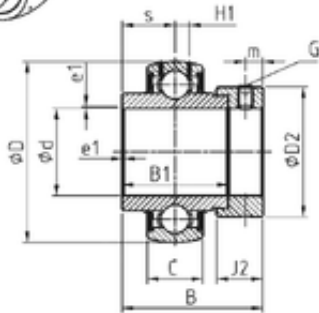




Lamar parts manufacturing company



23,8125 mm x 62 mm x 46,8 mm SNR
EX305-15 deep groove ball bearings

Bearing No. EX305-15

| | |
|-------------------------------|--------------------|
| Size | 23.8125x62x46.8 mm |
| Bore Diameter | 23,8125 mm |
| Outer Diameter | 62 mm |
| Width | 46,8 mm |
| d | 23,8125 mm |
| D | 62 mm |
| B | 46,8 mm |
| B1 | 34,9 mm |
| C | 21 mm |
| e | 1,5 mm |
| a | 3,96875 mm |
| m | 6 mm |
| s | 16,7 mm |
| D2 | 42,8 mm |
| H1 | 6,2 mm |
| Thread (G) - 5/16-24UNF | 5/1624UNF |
| J2 | 15,9 mm |
| Weight | 0,43 Kg |
| Basic dynamic load rating (C) | 22,36 kN |

EX305-15 Bearing 2D drawings and 3D CAD models