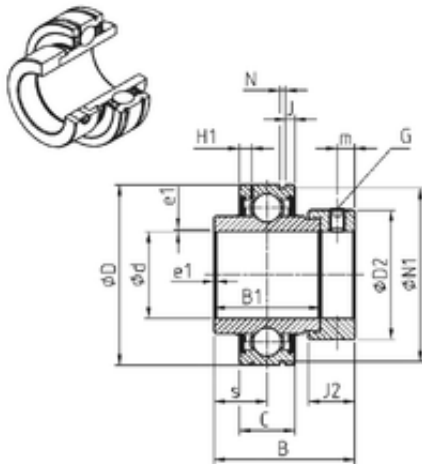




## Lamar parts manufacturing company



49,2125 mm x 90 mm x 62,7 mm SNR  
CEX210-31 deep groove ball bearings

Bearing No. CEX210-31

|                               |                    |
|-------------------------------|--------------------|
| Size                          | 49.2125x90x62.7 mm |
| Bore Diameter                 | 49,2125 mm         |
| Outer Diameter                | 90 mm              |
| Width                         | 62,7 mm            |
| d                             | 49,2125 mm         |
| D                             | 90 mm              |
| B                             | 62,7 mm            |
| B1                            | 49,2 mm            |
| C                             | 24 mm              |
| e                             | 1,5 mm             |
| a                             | 3,96875 mm         |
| m                             | 6,5 mm             |
| s                             | 24,6 mm            |
| D2                            | 69,5 mm            |
| H1                            | 5,6 mm             |
| J                             | 3,7 mm             |
| N                             | 3,7 mm             |
| N1                            | 86,79 mm           |
| Thread (G) - 5/16-24UNF       | 5/1624UNF          |
| J2                            | 18,3 mm            |
| Weight                        | 1,04 Kg            |
| Basic dynamic load rating (C) | 35,1 kN            |
| b                             | 2.7 mm             |
| B2                            | 18.3 mm            |
| C1                            | 5.6 mm             |

CEX210-31 Bearing 2D drawings and 3D CAD models



## Lamar parts manufacturing company

|   |            |
|---|------------|
| d1  | 69.5 mm    |
| G   | 5/16-24UNF |
| r   | 1.5        |
| S   | 24.6 mm    |
| SW  | 3.97 mm    |
| C0  | 23.2 kN    |
| T min.                                      | -20 ° C    |
| T max.                                      | 100 ° C    |
| Recommended tightening torque for set screw | 8 Nm       |