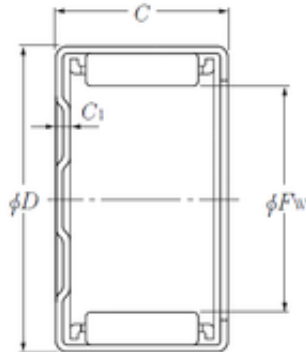




Lamar parts manufacturing company

NTN BK3520 needle roller bearings



Bearing No. BK3520

Size	35x42x20 mm
Bore Diameter	35 mm
Outer Diameter	42 mm
Width	20 mm
Fw	35 mm
D	42 mm
C	20 mm
C1	2,7 mm
Weight	0,055 Kg
Basic dynamic load rating (C)	24,8 kN
Basic static load rating (C0)	47,5 kN
(Grease) Lubrication Speed	4 700 r/min
Dw	2.5 mm
Lw	15.8 mm
Lubrication hole on outer ring	Non/No
Inner ring reference	No
Mass	0.06 kg
Cr	24.8 kN
C0r	47.5 kN
Nlim (grease)	4,700 rpm
Nlim (oil)	7,000 rpm
Min operating temperature, Tmin	-20 ° C
Max operating temperature, Tmax	120 ° C

BK3520 Bearing 2D drawings and 3D CAD models



Lamar parts manufacturing company

Characteristic cage frequency, FTF	0.47 Hz
Characteristic rolling element frequency, BSF	14.93 Hz
Characteristic outer ring frequency, BPF0	14 Hz
Characteristic inner ring frequency, BRFI	16 Hz
Category	Bearings
Inventory	0.0
Manufacturer Name	NTN
Minimum Buy Quantity	N/A
Weight / Kilogram	0.062
Product Group	B04144