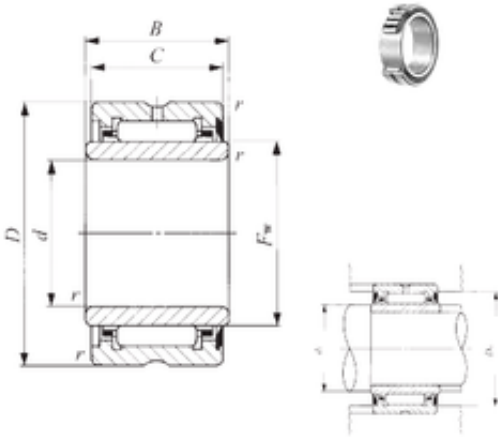




Lamar parts manufacturing company

50 mm x 72 mm x 23 mm IKO NA 4910U needle roller bearings

Bearing No. NA 4910U



NA 4910U Bearing 2D drawings and 3D CAD models

Size	50x72x23 mm
Bore Diameter	50 mm
Outer Diameter	72 mm
Width	23 mm
d	50 mm
Fw	58 mm
D	72 mm
B	23 mm
C	22 mm
r min.	0,6 mm
da min.	54 mm
da max	57 mm
Da max.	68 mm
Weight	0,295 Kg
Basic dynamic load rating (C)	41,3 kN
Basic static load rating (C0)	71,1 kN