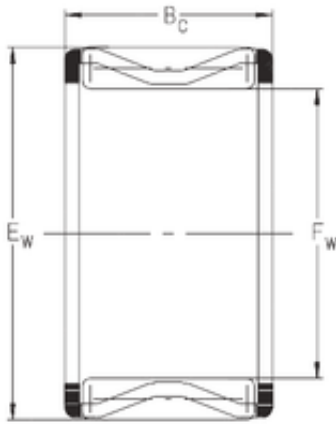




## Lamar parts manufacturing company

### INA C202612 needle roller bearings

Bearing No. C202612



Bore Diameter	31,75 mm
Outer Diameter	41,275 mm
Fw	31,75 mm
Ew	41,275 mm
Bc	19,05 mm
Weight	0,0487 Kg
Basic dynamic load rating (C)	34,5 kN
Basic static load rating (C0)	46,5 kN

C202612 Bearing 2D drawings and 3D CAD models