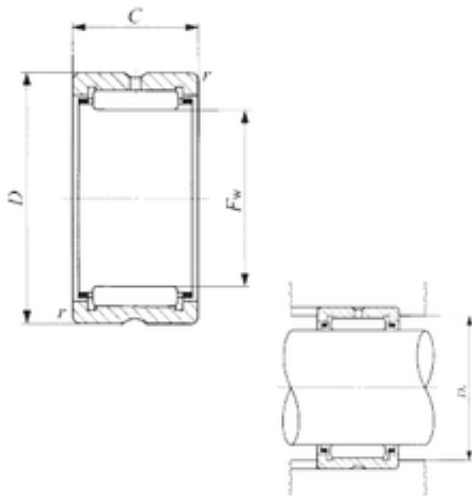




Lamar parts manufacturing company



IKO TAF 354530/SG needle roller bearings

Bearing No. TAF 354530/SG

Size	35x45x30 mm
Bore Diameter	35 mm
Outer Diameter	45 mm
Width	30 mm
Fw	35 mm
D	45 mm
C	30 mm
r min.	0,3 mm
Da max.	43 mm
Weight	0,1165 Kg
Basic dynamic load rating (C)	38,6 kN

TAF 354530/SG Bearing 2D drawings and 3D CAD models