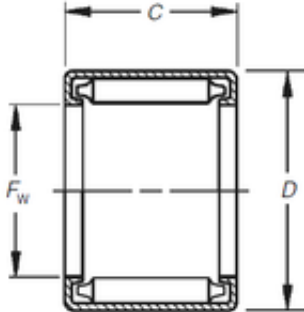




Lamar parts manufacturing company

Timken B-97 needle roller bearings



Bearing No. B-97

Size	14.288x19.05x11.13 mm
Bore Diameter	14,288 mm
Outer Diameter	19,05 mm
Width	11,13 mm
Fw	14,288 mm
D	19,05 mm
C	11,13 mm
Weight	0,008 Kg
Basic dynamic load rating (C)	8,85 kN
Basic static load rating (C0)	14,6 kN
(Grease) Lubrication Speed	3300 r/min

B-97 Bearing 2D drawings and 3D CAD models