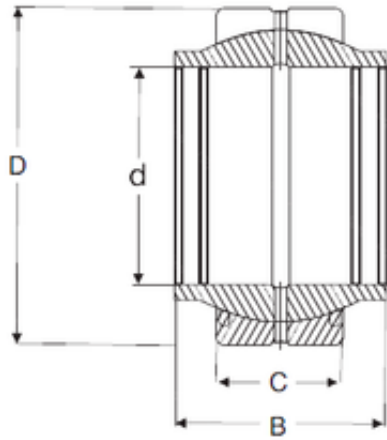




Lamar parts manufacturing company

125 mm x 180 mm x 125 mm SIGMA GEG 125
ES plain bearings



Bearing No. GEG 125 ES

Size	125x180x125 mm
Bore Diameter	125 mm
Outer Diameter	180 mm
Width	125 mm
d	125 mm
D	180 mm
B	125 mm
C	70 mm

GEG 125 ES Bearing 2D drawings and 3D CAD models