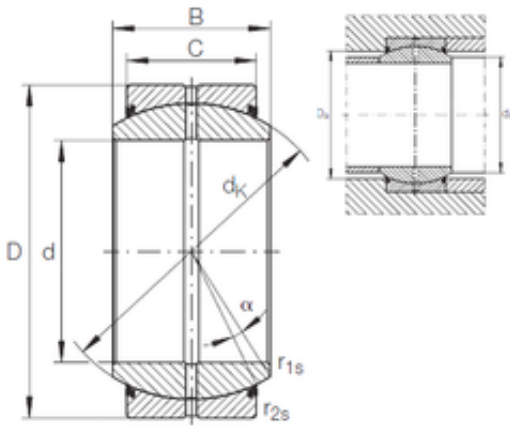




Lamar parts manufacturing company

300 mm x 430 mm x 165 mm INA GE 300 DO-2RS plain bearings

Bearing No. GE 300 DO-2RS



GE 300 DO-2RS Bearing 2D drawings and 3D CAD models

| | |
|-------------------------------|----------------|
| Size | 300x430x165 mm |
| Bore Diameter | 300 mm |
| Outer Diameter | 430 mm |
| Width | 165 mm |
| d | 300 mm |
| D | 430 mm |
| B | 165 mm |
| C | 120 mm |
| dk | 375 mm |
| r1 min. | 1,1 mm |
| r2 min. | 1,1 mm |
| da max | 336,7 mm |
| Da min | 370 mm |
| Angle | 7 ° |
| Weight | 77,3 Kg |
| Basic dynamic load rating (C) | 3800 kN |