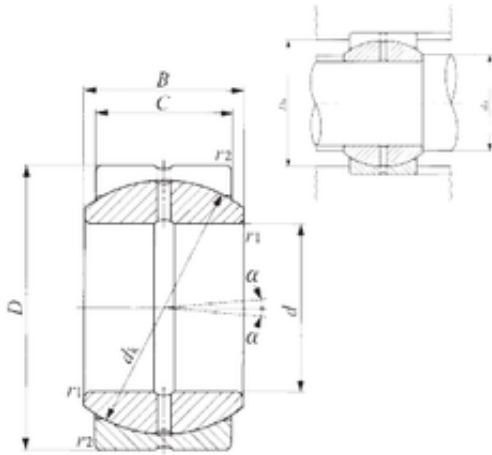




## Lamar parts manufacturing company

### 15 mm x 26 mm x 13 mm IKO SB 15A plain bearings



Bearing No. SB 15A

Size	15x26x13 mm
Bore Diameter	15 mm
Outer Diameter	26 mm
Width	13 mm
d	15 mm
D	26 mm
B	13 mm
C	11 mm
dk	22 mm
r min.	0,3 mm
da min.	17,5 mm
da max	17,5 mm
Da min	23,5 mm
Da max.	21 mm
Angle	6 °
Weight	0,028 Kg
Basic dynamic load rating (C)	23,7 kN

SB 15A Bearing 2D drawings and 3D CAD models