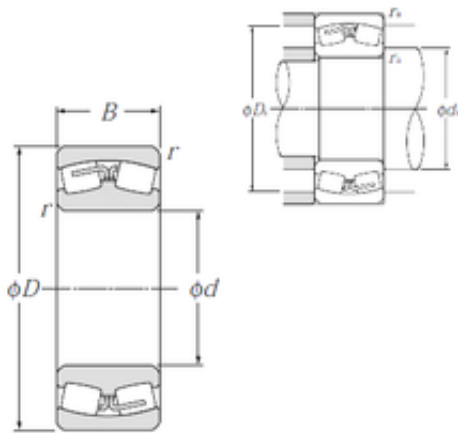




Lamar parts manufacturing company

140 mm x 210 mm x 69 mm NTN 24028C spherical roller bearings



Bearing No. 24028C

Size	140x210x69 mm
Bore Diameter	140 mm
Outer Diameter	210 mm
Width	69 mm
d	140 mm
D	210 mm
B	69 mm
C	69 mm
r min.	2 mm
da min.	150 mm
Da max.	200 mm
ra max.	2 mm
Weight	8,48 Kg
Basic dynamic load rating (C)	520 kN
Basic static load rating (C0)	940 kN
(Grease) Lubrication Speed	1 500 r/min
(Oil) Lubrication Speed	1 900 r/min
Calculation factor (e)	0,3
Calculation factor (Y0)	2,18
Calculation factor (Y1)	2,23

24028C Bearing 2D drawings and 3D CAD models