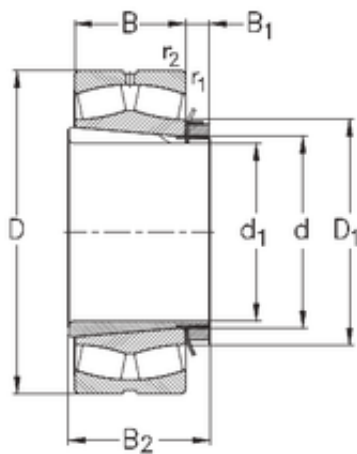




Lamar parts manufacturing company



280 mm x 420 mm x 106 mm NKE 23056-K-MB-W33+OH3056-H spherical roller bearings

Bearing No. 23056-K-MB-W33+OH3056-H

23056-K-MB-W33+OH3056-H Bearing 2D drawings and 3D CAD models

Size	280x420x106 mm
Bore Diameter	280 mm
Outer Diameter	420 mm
Width	106 mm
d	280 mm
d1	260 mm
D	420 mm
B	106 mm
C	106 mm
r1 min.	4 mm
r2 min.	4 mm
B1	38 mm
B2	152 mm
D1	330 mm
Weight	68,5 Kg
Basic dynamic load rating (C)	1440 kN
Basic static load rating (C0)	2690 kN
Limiting speed	1600 r/min
Calculation factor (e)	0,24
Calculation factor (Y0)	2,6
Calculation factor (Y1)	2,7