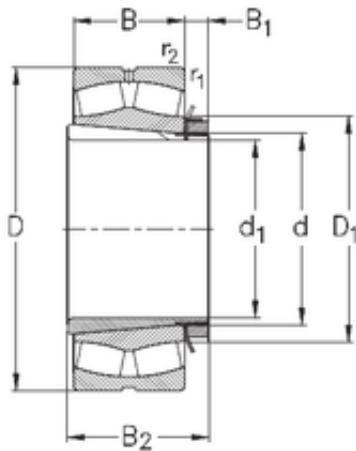




## Lamar parts manufacturing company



### 90 mm x 190 mm x 64 mm NKE 22318-E-K-W33+H2318 spherical roller bearings

Bearing No. 22318-E-K-W33+H2318

22318-E-K-W33+H2318 Bearing 2D drawings and 3D CAD models

Size	90x190x64 mm
Bore Diameter	90 mm
Outer Diameter	190 mm
Width	64 mm
d	90 mm
d1	80 mm
D	190 mm
B	64 mm
C	64 mm
r1 min.	3 mm
r2 min.	3 mm
B1	19 mm
B2	86 mm
D1	120 mm
Weight	10,04 Kg
Basic dynamic load rating (C)	536 kN
Basic static load rating (C0)	673 kN
Limiting speed	3600 r/min
Calculation factor (e)	0,33
Calculation factor (Y0)	2
Calculation factor (Y1)	2,1