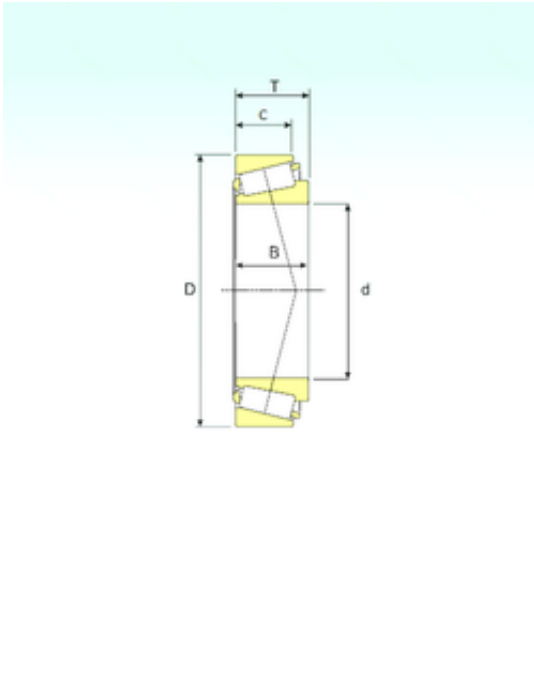




Lamar parts manufacturing company



33021 Bearing 2D drawings and 3D CAD models

105 mm x 160 mm x 43 mm ISB 33021 tapered roller bearings

Bearing No. 33021

Size	105x160x43 mm
Bore Diameter	105 mm
Outer Diameter	160 mm
Width	43 mm
d	105 mm
D	160 mm
T	43 mm
B	43 mm
C	43 mm
Weight	3,05 Kg
Basic dynamic load rating (C)	241 kN
Basic static load rating (C0)	421 kN
(Grease) Lubrication Speed	2907 r/min