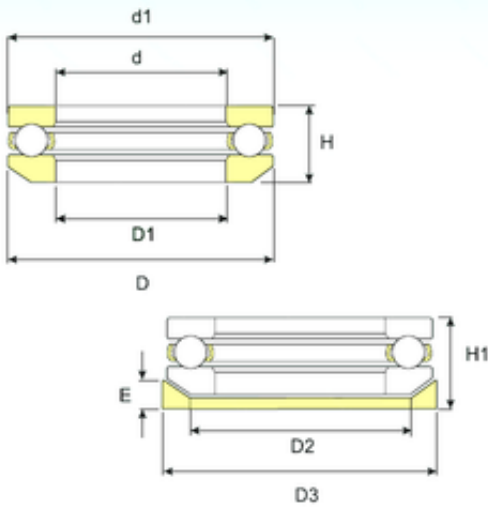




## Lamar parts manufacturing company



53312 U 312 Bearing 2D drawings and 3D CAD models

### ISB 53312 U 312 thrust ball bearings

Bearing No. 53312 U 312

Size	60x110x38.3 mm
Bore Diameter	60 mm
Outer Diameter	110 mm
Width	38,3 mm
d	60 mm
D	110 mm
H	38,3 mm
d1	110 mm
D1	62 mm
D2	85 mm
D3	115 mm
E	11,5 mm
H1	42 mm
Weight	1,71 Kg
Basic dynamic load rating (C)	99 kN
Basic static load rating (C0)	220 kN
(Grease) Lubrication Speed	2295 r/min