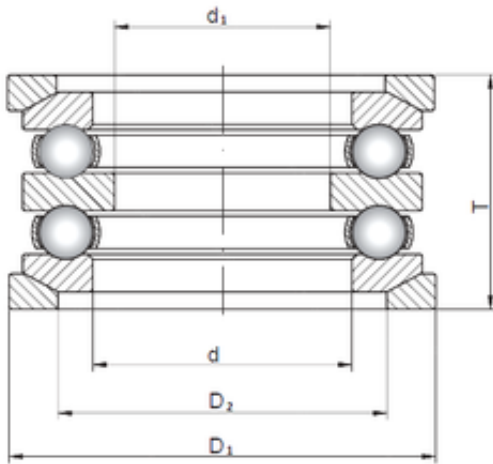




## Lamar parts manufacturing company

### ISO 54320U+U320 thrust ball bearings

Bearing No. 54320U+U320



Bore Diameter	103 mm
d	103 mm
d1	85 mm
D1	175 mm
D2	135 mm
T	115 mm

54320U+U320 Bearing 2D drawings and 3D CAD models