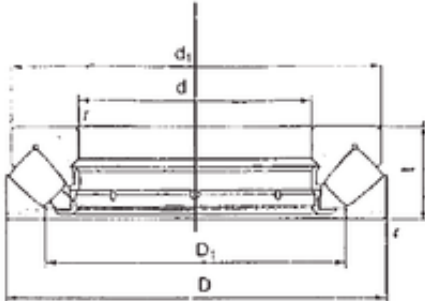




FBJ 29330M thrust roller bearings



Bearing No. 29330M

Size	150x250x60 mm
Bore Diameter	150 mm
Outer Diameter	250 mm
Width	60 mm
d	150 mm
D	250 mm
T	60 mm
d1	230 mm
r min.	2,1 mm
D1	192 mm
Weight	10,48 Kg
Basic dynamic load rating (C)	815 kN
Basic static load rating (C0)	2850 kN

29330M Bearing 2D drawings and 3D CAD models